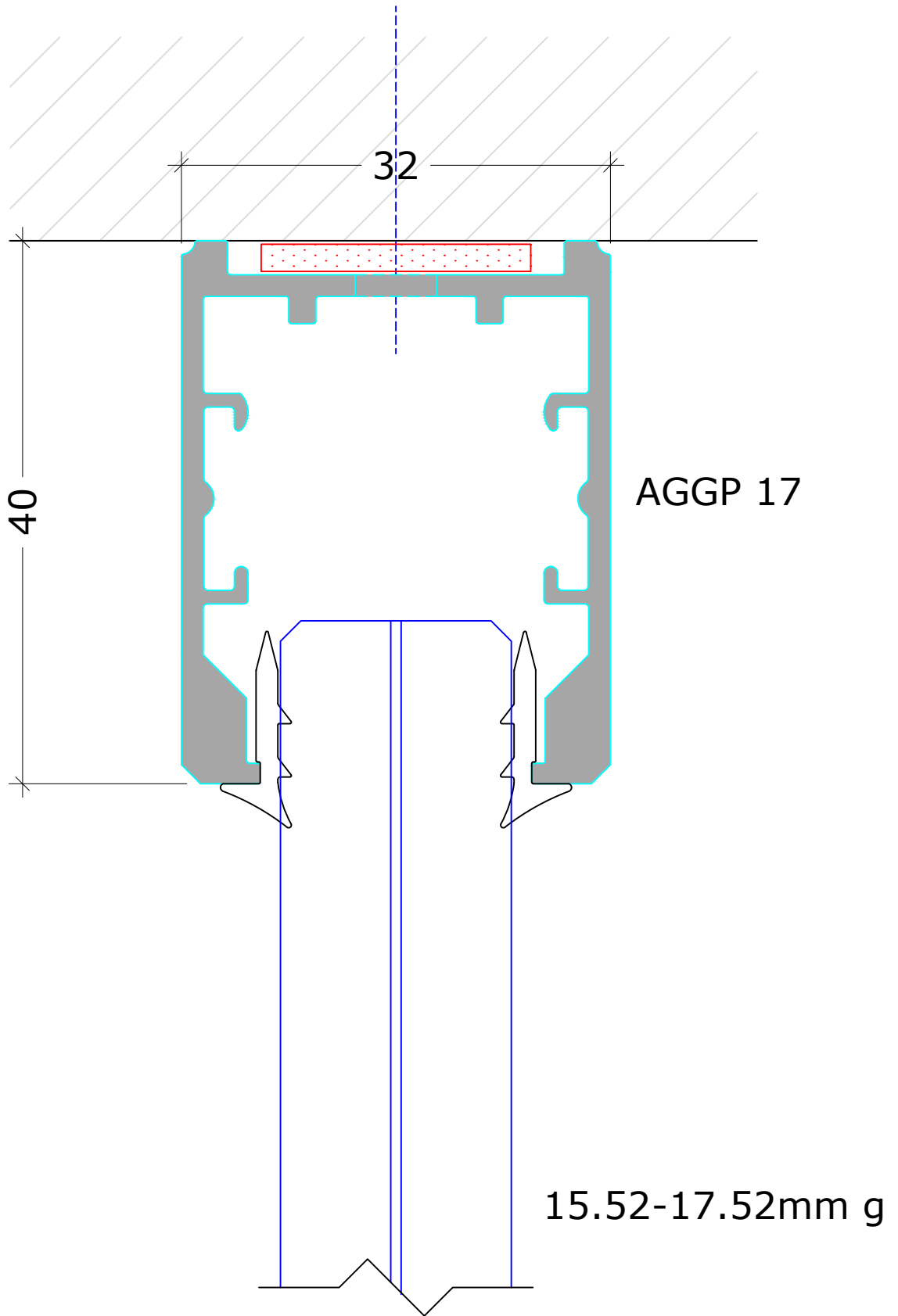
	DEKO Tel: +91 80 41114848 www.deko.in	Project: Deko FG 15-17mm Toughened Glass	
	Case No.:	Subject: LIA	Date: 06-02-2024
Scale : 1:1		Revision:	Signature:



DEKO
 Tel: +91 80 41114848
 www.deko.in

Project:
 Deko FG 15-17mm Toughened Glass

Case No.:

Subject:
 LIB

Date:
 06-02-2024

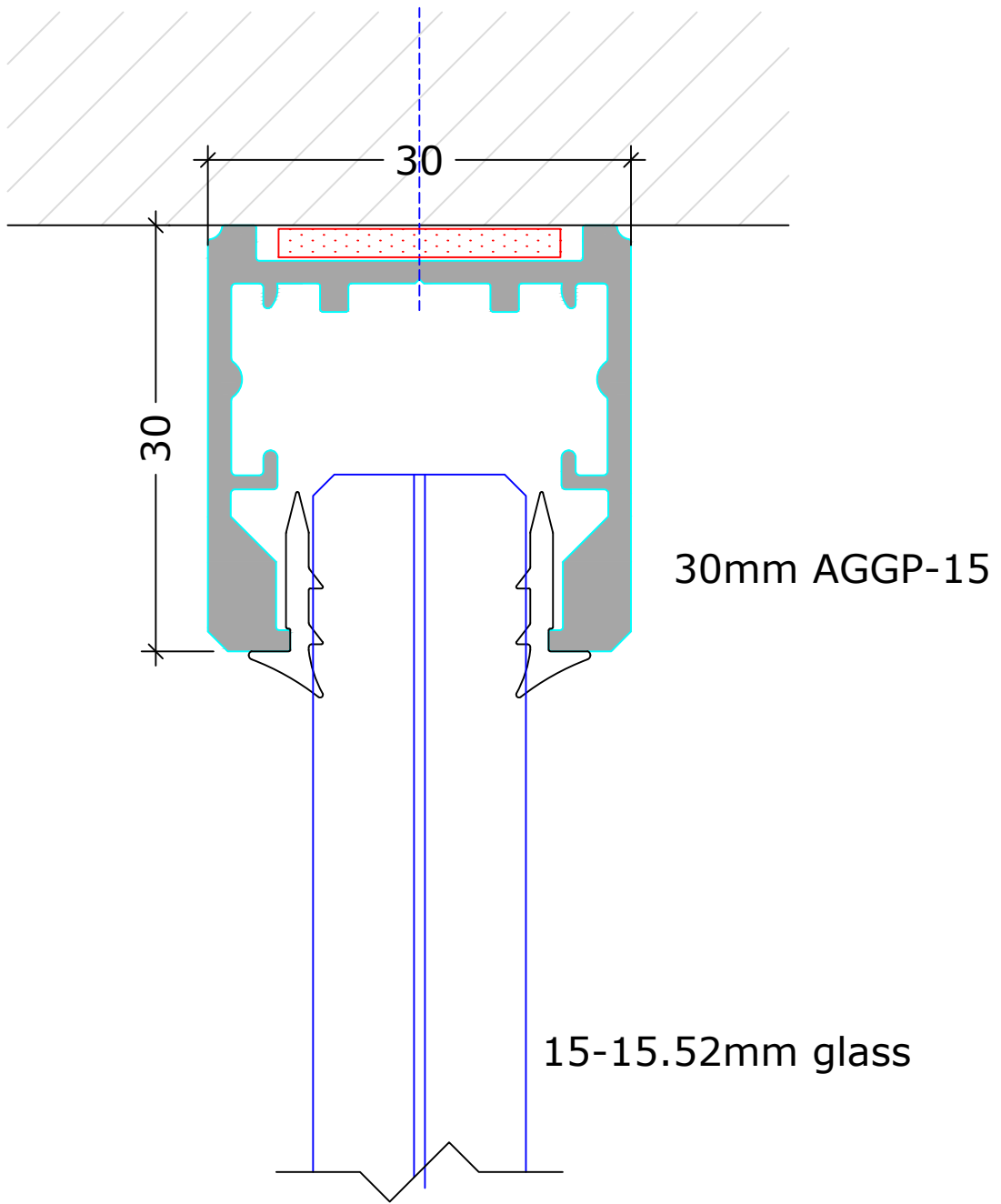
Sheet No. 2/4


Scale : 1:1

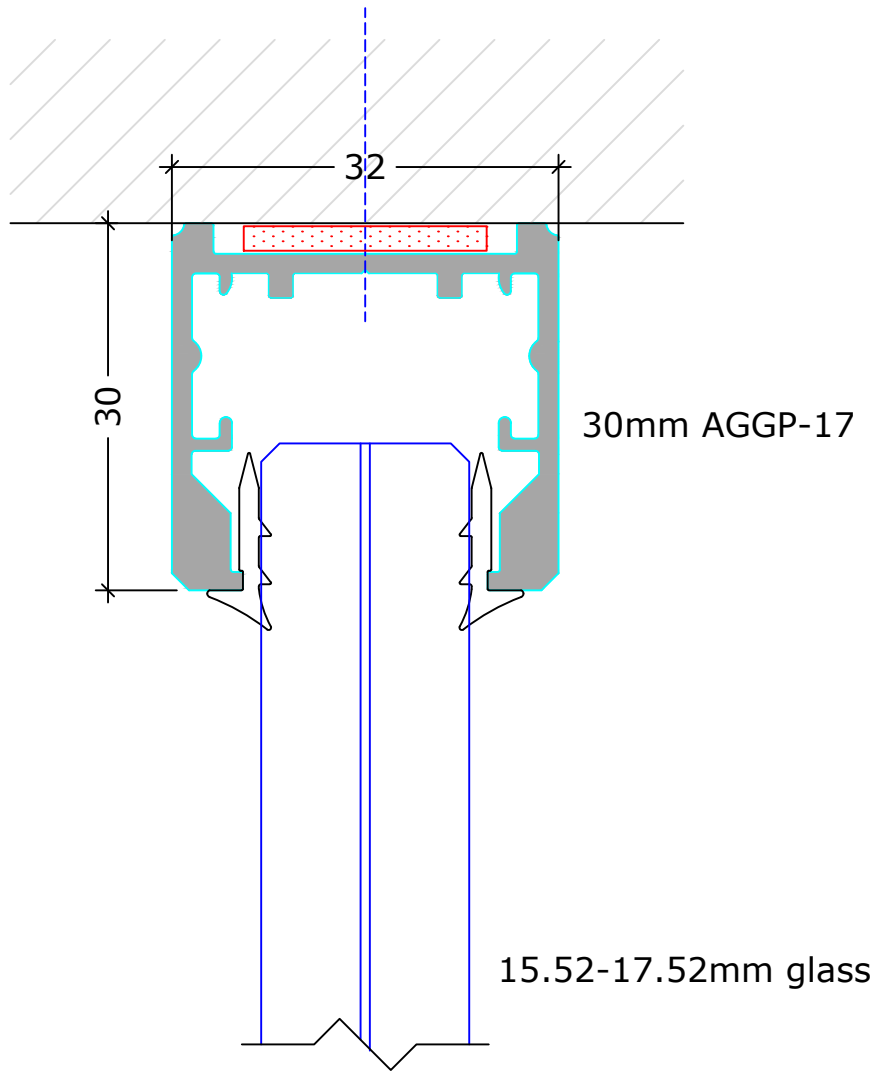
Revision:


Signature:

Signature:



	DEKO Tel: +91 80 41114848 www.deko.in		Project: Deko FG 15-17mm Toughened Glass	
	Case No.:	Subject: LIC		Date: 06-02-2024
Scale : 1:1			Revision:	Signature:



	DEKO Tel: +91 80 41114848 www.deko.in		Project: Deko FG 15-17mm Toughened Glass	
	Case No.:	Subject: LID		Date: 06-02-2024
Scale : 1:1			Revision:	Signature: