

**DEKO**  
 Tel: +91 80 41114848  
 www.deko.in

**Project:**  
 Deko FG 15-17mm Toughened Glass

**Case No.:**

**Subject:**  
 V4A

**Date:**  
 06-02-2024

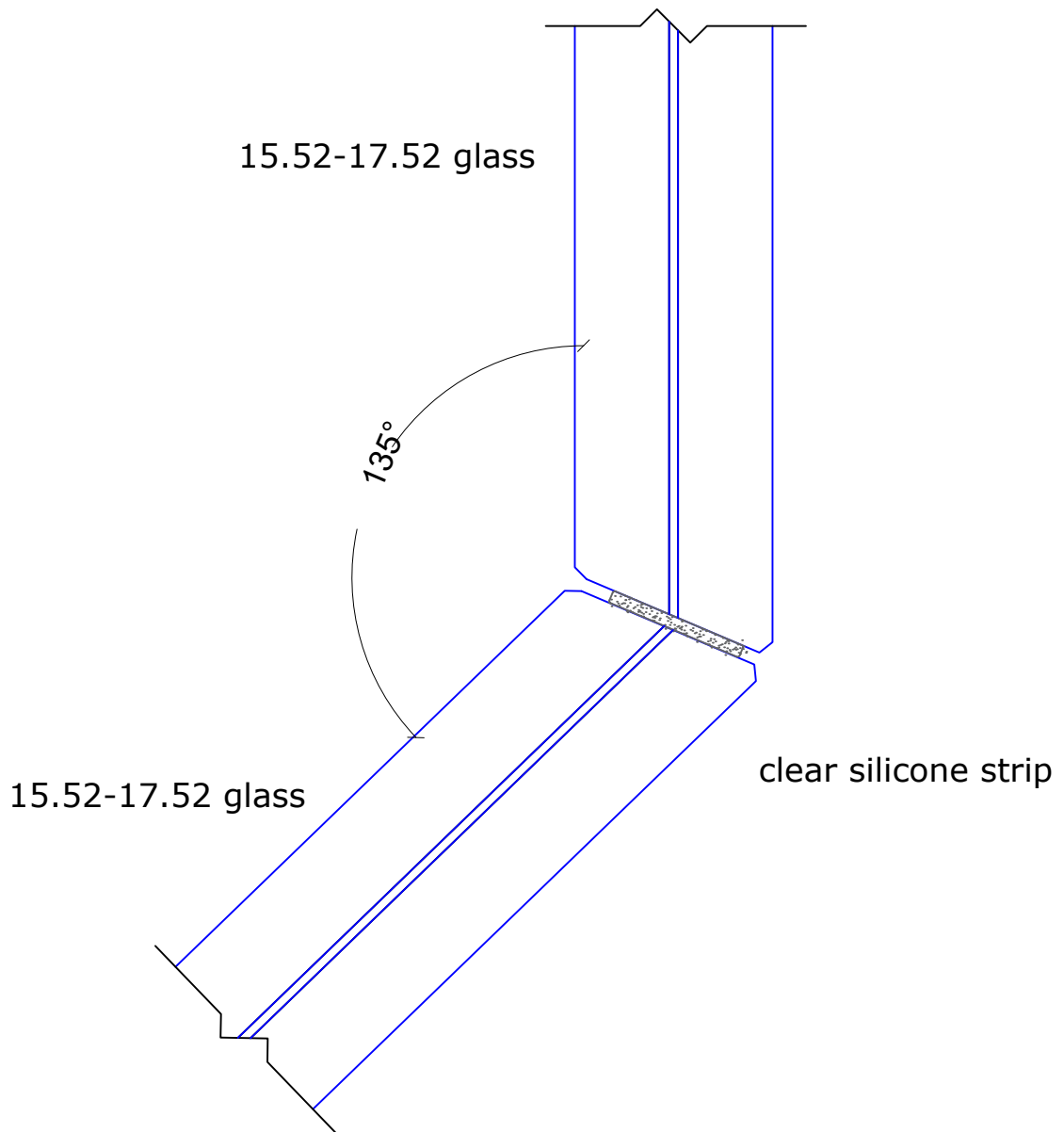
**Sheet No.** 1/2


**Scale :** 1:1

**Revision:**

**Signature:**

**Signature:**



	<b>DEKO</b> Tel: +91 80 41114848 www.deko.in		<b>Project:</b> Deko FG 15-17mm Toughened Glass	
	<b>Case No.:</b>	<b>Subject:</b> V4B		<b>Date:</b> 06-02-2024
<b>Scale :</b> 1:1			<b>Revision:</b>	<b>Signature:</b>